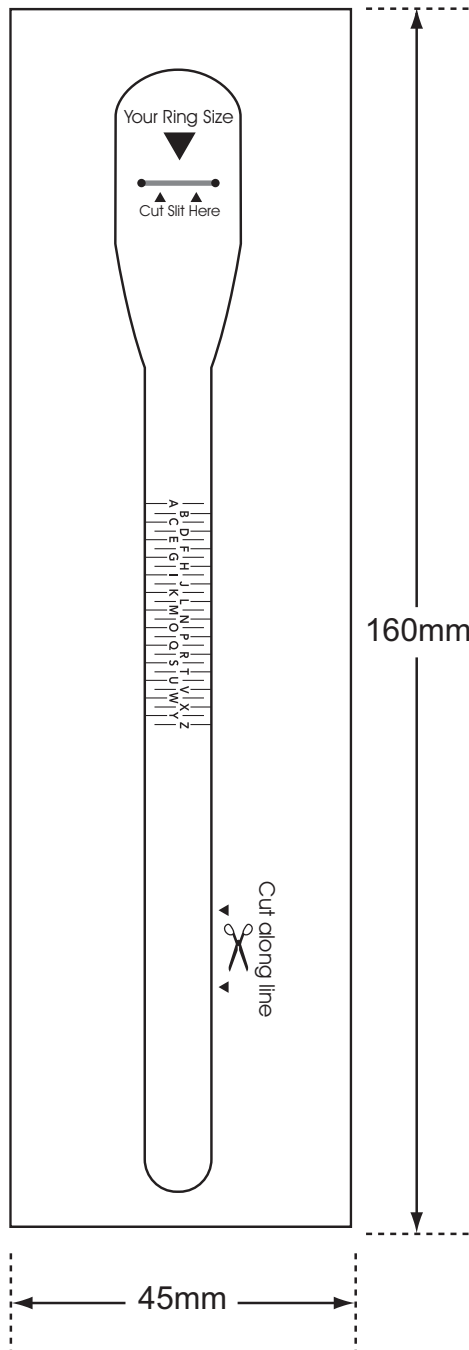


Find your ring size...

Please ensure you are printing at 100% when printing this page and that it is not being shrunk to fit on this page.

Belt Ring Sizer



1. Print out this document.
2. Once printed, measure the outer box and ensure it measures 160mm x 45mm.
3. Cut out the sizer and make a slit where shown.
4. Push the end through the slit and slip it over your finger.
5. Adjust the sizer so that it fits comfortably around your finger.
6. Check that you can remove the sizer over your knuckle without difficulty.
7. Read off the letter indicated by the arrow. This is your size.

IMPORTANT: Do not pull the ring sizer tightly as this will give you an incorrect reading.